

REVISIONS:	BY:

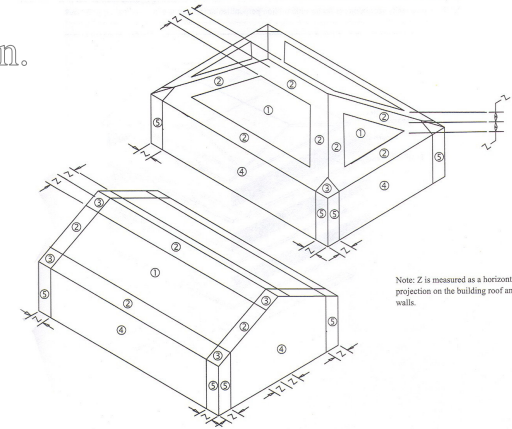
WOOD FRAME CONSTRUCTION MANUAL

Table 2.4 Roof and Wall Sheathing Suction Loads
(For Sheathing and Sheathing Attachment)

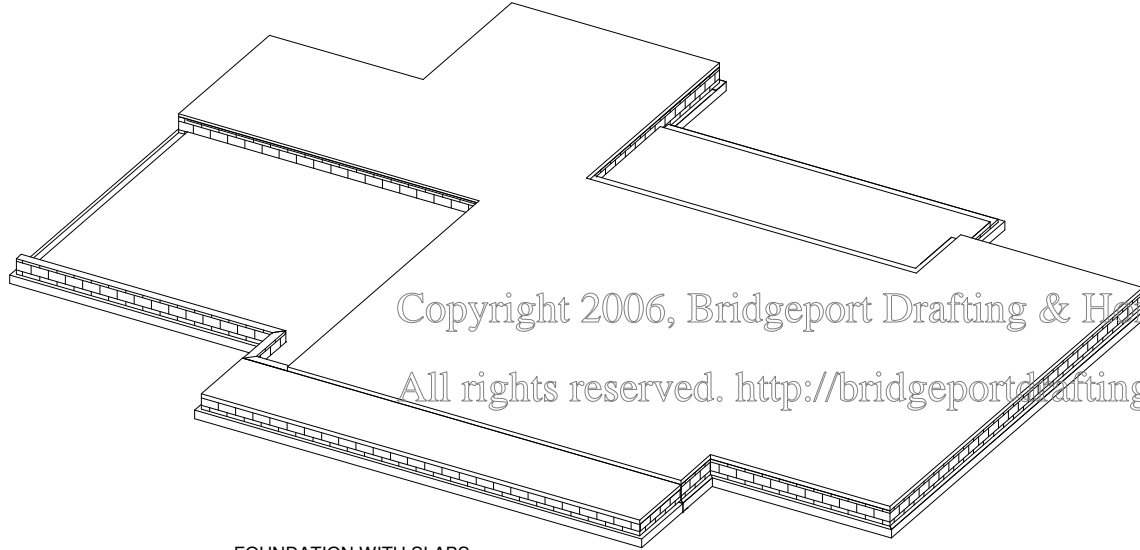
Three Second Gust Wind Speed (mph)	100
	Dual Slope Roof
Sheathing Location ¹	Suction Pressure (psf)
Zone 1	18.5
Zone 2	25.7
Zone 3	46.7
Zone 3 Overhang	58.0
Zone 4	20.1
Zone 5	24.8

¹ The dimension, Z, is measured as 10% of the minimum building dimension, but not less than 3 feet.
² Tabulated framing loads assume a building located in Exposure B with a main roof height of 33 feet. For buildings located in other exposures, the tabulated values shall be multiplied by the appropriate adjustment factor in Table 1.1.

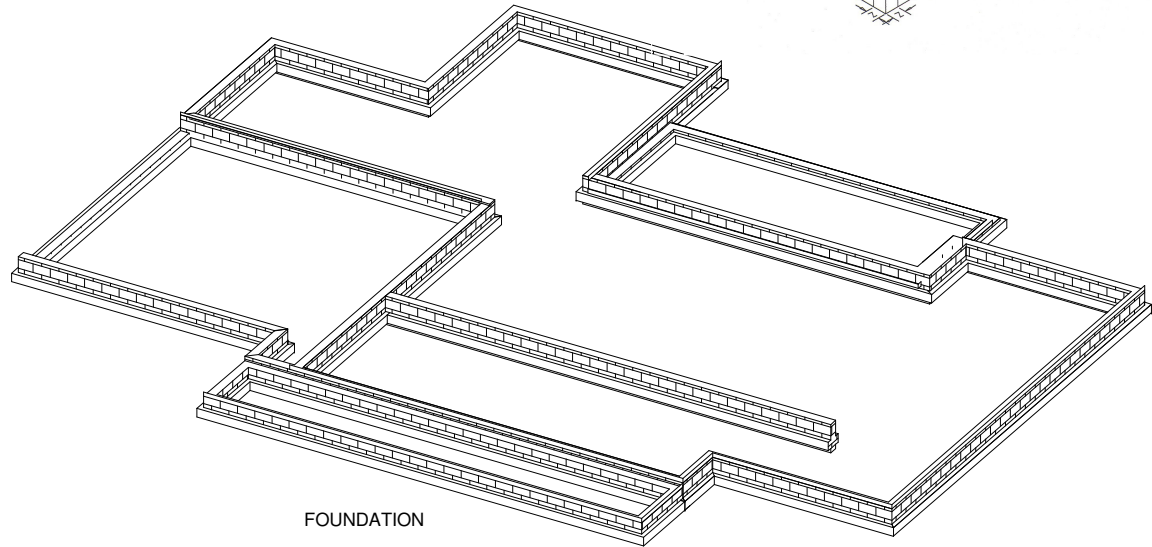
AMERICAN FOREST & PAPER ASSOCIATION



Note: Z is measured as a horizontal projection on the building roof and walls.



FOUNDATION WITH SLABS



FOUNDATION

Copyright 2006, Bridgeport Drafting & Home Design.
All rights reserved. <http://bridgeportdrafting.com>

FOUNDATION AND SLABS

Bridgeport
Drafting & Home Design
2116 Bridgeport Road
Palatka, FL 32177
386.328.1593

JOB: Palatka, Florida
Drawn by: Bobby Hinton

project #

date:

SHEET NO.